



As recommended by [gov.uk](https://www.gov.uk)

---

# Home Learning Pack Year 6

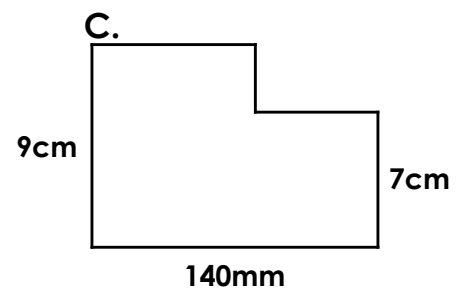
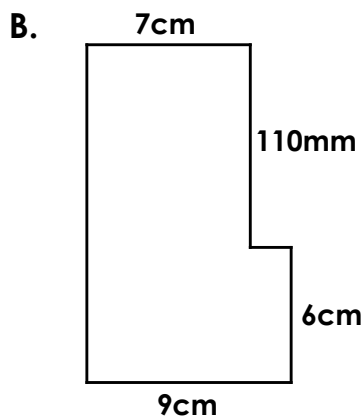
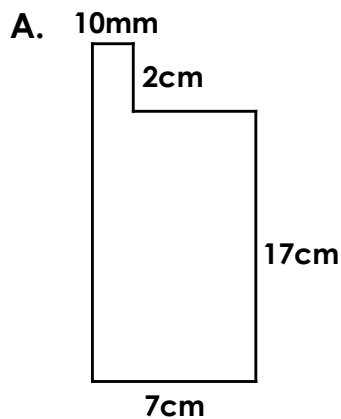
Week 9  
22/06/2020



Take a picture while you work through this booklet and tweet us [@ClassroomSecLtd](https://twitter.com/ClassroomSecLtd) using the hashtags [#CSKids](https://twitter.com/CSKids) and [#HomeLearningHero](https://twitter.com/HomeLearningHero) to be in with a chance of winning a month's subscription to [classroomsecrets.co.uk](https://www.classroomsecrets.co.uk).

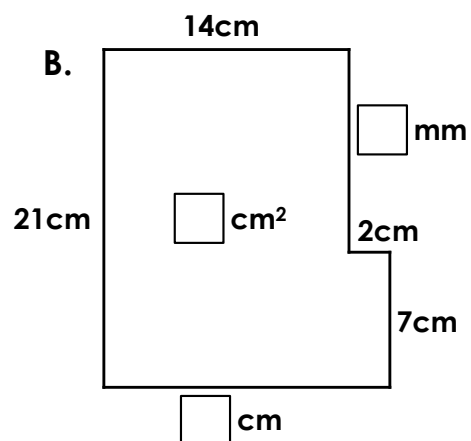
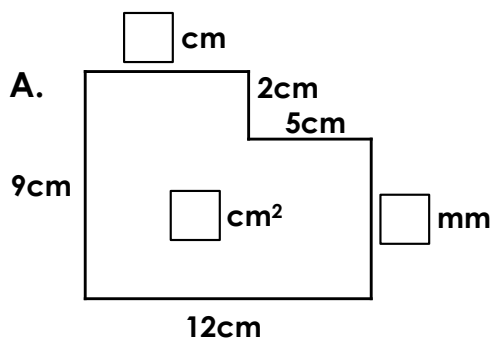
# Monday – Area and Perimeter

1. Circle the shape which has a different total perimeter to the others.



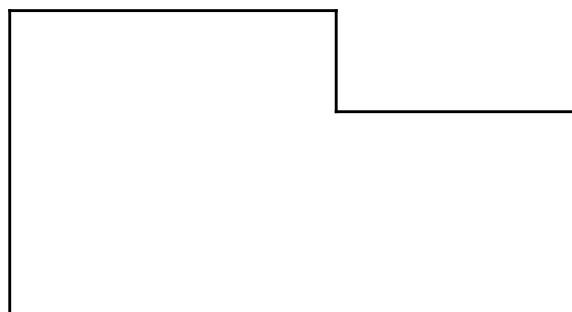
*Not to scale*

2. Using the formulas  $p = 2l + 2w$  and  $a = w \times l$ , complete the missing values of the shapes below.



*Not to scale*

3. The shape below has an area greater than  $100\text{m}^2$ .



*Not to scale*

Work out the possible perimeter of the shape. Convince me.

## Monday – Was or Were?

1. Circle the odd one out.

A. If I were allowed a pet dog, I would call him Charlie.

B. I would not go in there if I were you, that is Robert's secret office.

C. We were all told to go outside at playtime but the weather was not very nice.

D. We could go to the cinema tonight if I were to finish my homework on time.

2. Underline the words that need to be changed so the sentences are in the subjunctive form.

A. If I had to visit my aunty this weekend, I would take her some flowers as she has been a little under the weather recently.

B. I wish I was going on holiday over the Christmas break because the weather is too cold here.

C. If I was a little older, I would be able to stay out later after school to see my friends.

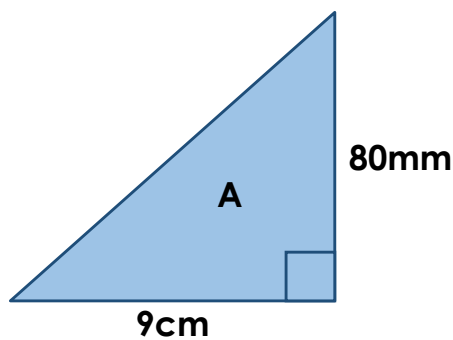
3. Can this sentence be written in the subjunctive form?

The hockey game kicks off at 11 o'clock; I wish I was allowed to play but I have to visit my grandma.

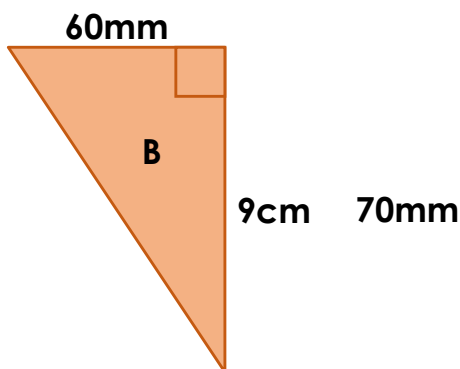
Explain your reasoning.

## Tuesday – Area of a Triangle 2

1. Calculate the area of the triangles below and match them to the correct area.

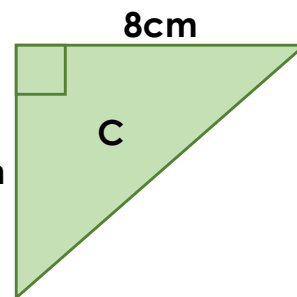


27cm<sup>2</sup>



28cm<sup>2</sup>

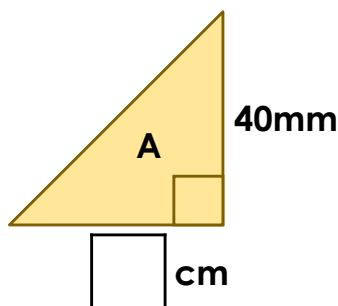
*not to scale*



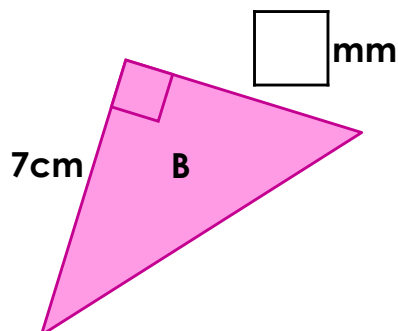
36cm<sup>2</sup>

2. Complete the missing lengths of the triangles.

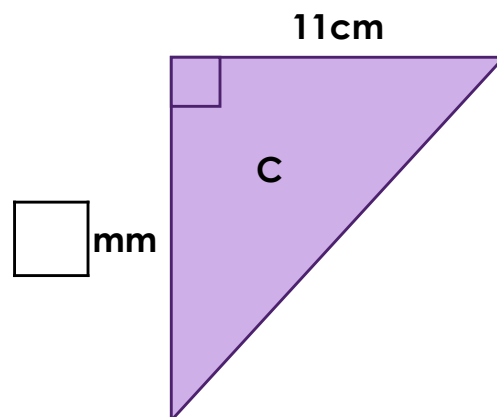
Area = 8cm<sup>2</sup>



Area = 21cm<sup>2</sup>



Area = 66cm<sup>2</sup>



*not to scale*

3. Aurora is working out the dimensions of a triangle with an area of 30m<sup>2</sup>.

She says,



If the area of the triangle is 30m<sup>2</sup>, the base and height of the triangle must be greater than 8m on either side.

Is she correct? Explain how you know, giving an example of the possible dimensions.

## Tuesday – Recognising Subjunctive Form

1. Mark an 'x' in each box to show whether the subjunctive form has been used correctly in each sentence.

	<b>x</b>
A. I wish I were allowed to play outside in the garden, even though I haven't tidied my bedroom up yet.	
B. If I was a better friend, I would suggest to Jake that he listens to his mum when she is trying to help him with his homework.	
C. My cat acts as if she were in charge at our house and the dogs and I have to do what she wants.	

2. Use the verbs below to complete the sentences. Only use each verb once.

find

were

work

A. I wish I \_\_\_\_\_ famous and had lots of money, as I would donate a large amount of it to charity.

B. It is important that she \_\_\_\_\_ well with the other team members, in order to produce the best result.

C. I suggest that he \_\_\_\_\_ the time to do his work as soon as possible, otherwise he will be in serious trouble.

3. Ellie, Louisa and Ivan are writing to different people.

Dear Uncle,
It was wonderful to see you
last night. I wish I was able
to meet up with you more
often.
Ellie

Dear Sir/Madam,
I suggested to your
manager that she refund me
for my recent purchase of
your faulty product.
Louisa Jones

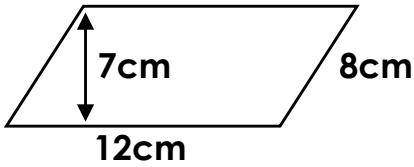
Dear Mr Hussain,
It is important that everyone
attend the meeting today so
they understand the project.
Ivan

Which person has made errors when writing in the subjunctive form? Explain why. Rewrite their sentence in the correct subjunctive form.

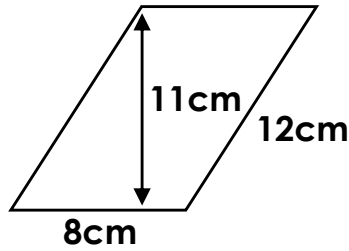
# Wednesday – Area of a Parallelogram

1. Using the formula  $a = b \times h$ , circle the parallelograms below with an area between  $80\text{cm}^2$  and  $90\text{cm}^2$ .

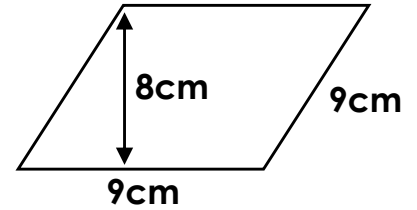
A.



B.



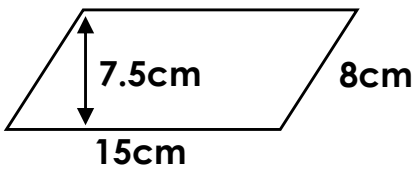
C.



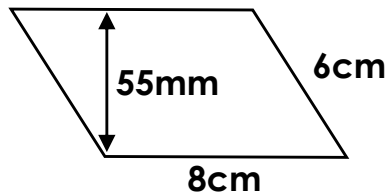
*Not to scale*

2. Draw lines to match the parallelograms to their correct areas.

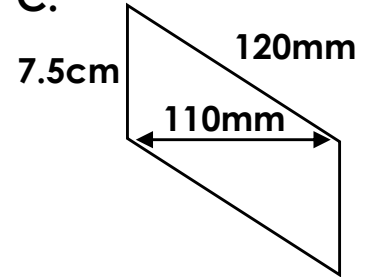
A.



B.



C.



1.  $44\text{cm}^2$

2.  $81.5\text{cm}^2$

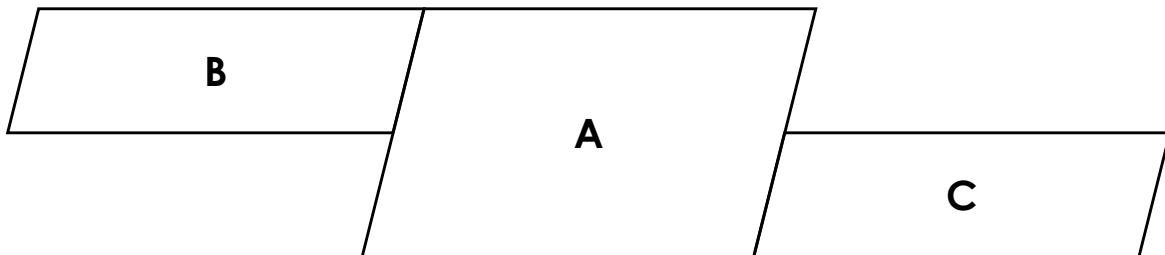
3.  $112.5\text{cm}^2$

4.  $82.5\text{cm}^2$

5.  $45\text{cm}^2$

*Not to scale*

3. The area of A is an odd number; the areas of B and C are half the area of A, and are identical to one another.



*Not to scale*

What could the base and perpendicular height be for A, B and C?  
Explain your answer. Write your answers in centimetres.

# Wednesday – Creative Writing Challenge

## If I Were Elected Prime Minister...

What would you do if you were elected Prime Minister?

Identify three policies you would like to introduce and explain why.

Include examples of the subjunctive form to express hypothetical situations, or something that you wish would happen, rather than an actual situation.

Policy 1:


Policy 2:

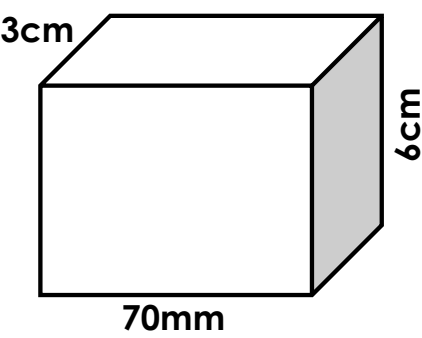
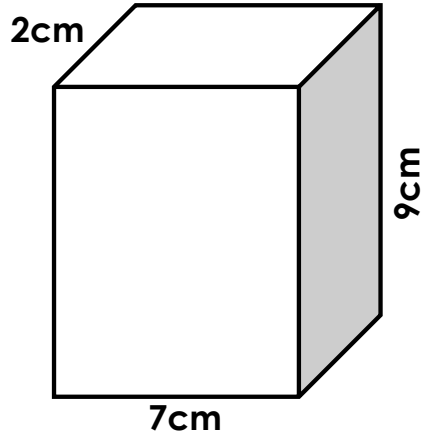
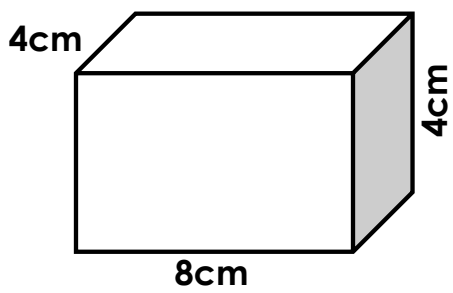

Policy 3:


Examples of the subjunctive form:

- If I were elected I would...
- I ask that the policy be changed...
- My new policies require that all people be...
- It is essential that change begin at once...

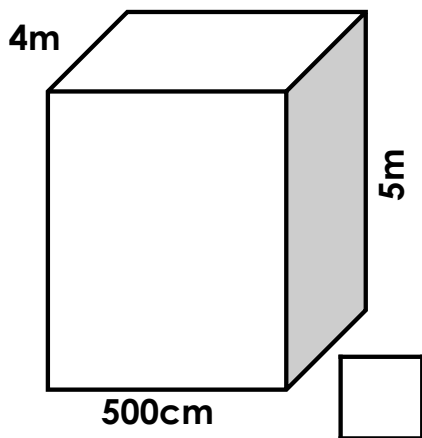
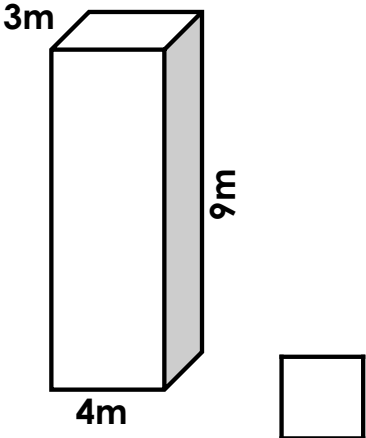
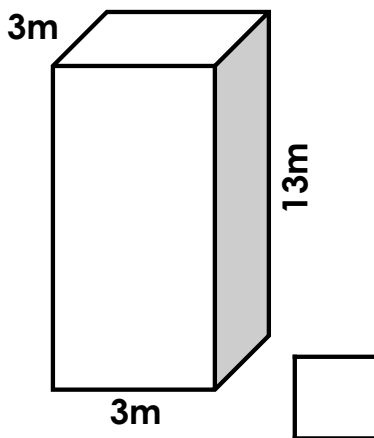
# Thursday – Volume of a Cuboid

1. Circle the odd one out.

<p>A.</p> 	<p>B.</p> 	<p>C.</p> 
---------------------------------------------------------------------------------------------	---------------------------------------------------------------------------------------------	-----------------------------------------------------------------------------------------------

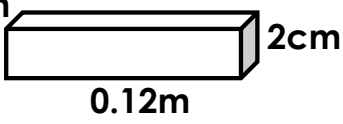
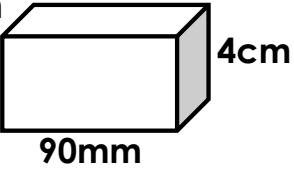
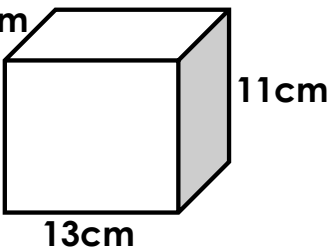
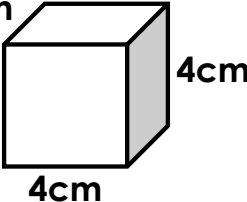
*not to scale*

2. Mark with an 'x' the cuboids which have a volume greater than  $100\text{m}^3$ .

<p>A.</p>  <div style="text-align: right; margin-top: 5px;"><input type="checkbox"/></div>	<p>B.</p>  <div style="text-align: right; margin-top: 5px;"><input type="checkbox"/></div>	<p>C.</p>  <div style="text-align: right; margin-top: 5px;"><input type="checkbox"/></div>
------------------------------------------------------------------------------------------------------------------------------------------------------------------------------	-------------------------------------------------------------------------------------------------------------------------------------------------------------------------------	--------------------------------------------------------------------------------------------------------------------------------------------------------------------------------

*not to scale*

3. Three pairs of shapes make a composite 3D shape with a volume  $< 200\text{cm}^3$ . Which pairs of shapes are they?

<p>A. 1cm</p> 	<p>B. 3cm</p> 
<p>C. 60mm</p> 	<p>D. 4cm</p> 

<input type="checkbox"/>	and	<input type="checkbox"/>
<input type="checkbox"/>	and	<input type="checkbox"/>
<input type="checkbox"/>	and	<input type="checkbox"/>

*not to scale*



## Thursday – Using Subjunctive Form

1. Place an 'x' in the box of sentences written in the subjunctive form.

A. One of our school rules is to look after each other.

B. If I were a teacher, I would never give anyone homework.

C. I wish I were able to attend as the party sounds really exciting!

D. He demanded that the game start before the rain did.

2. True or false? Maisie is using the subjunctive form.



I wish I were good enough at playing the piano to play in the symphony orchestra, but hopefully I will be when I'm older.

3. Frankie has tried to write a sentence in the subjunctive form.

	If I am really ill, my mum would call the school or take me
	to the doctors.

Explain the mistake he has made.

# Additional Resources – Reading Comprehension

## The Signing

Read the text on the following pages then answer the questions below.

1. What type of the text is this?

2. Find two features of the text that indicate this.

3. Why did Tommy put his phone on top of the fridge in the first scene?

4. How many characters are mentioned in this script? List them from start to finish.

5. What do you notice about the text that is in italics and what is its purpose in the text?

6. Compare reading this with reading a story. Is a script harder or easier to read? Does it paint a more or less vivid picture of the scene in your head?

7. 'How many times have I told you?' is an example of what language device?

8. Do you think Tommy deserved to be signed to a youth club?

9. Who could Kerry and Lisa be?

10. How do we know when a scene has finished?

11. Imagine the conversation that happened between Tommy and Sandra after Mr. Emmet has left. Write it here in script format.

# Additional Resources – Guided Reading

## The Signing

### Characters

**SANDRA** Murphy: A hard working mum in her early forties who dreams of well-behaved children and a clean kitchen.

**TOMMY** Murphy: A football and YouTube obsessed teenage boy, who dreams of leaving home and being signed to Manchester United.

**MR EMMET**: An ageing football talent scout who dreams of signing the next Cristiano Ronaldo.

*Lights come up to reveal an old-fashioned, run-down looking kitchen. There is a sink filled with dishes, broken kitchen cabinets and a work top covered in packets and food. To the left of the stage there is a fridge, with an open bottle of fizzy drink on top. There is a small wooden table centre stage. There are two chairs behind the table, facing the audience. Both the table and chairs look rather old and tired. There are a few dirty glasses on the table. A crashing noise is heard off stage.*

**SANDRA**: (Off stage) Tommy! I told you to keep that thing out of here, how many times? I've enough to do without you making extra work for me.

*From the direction of the noise, Tommy – a fifteen year old boy, wearing muddy football shorts and a Manchester United T-Shirt comes running in. He is dribbling a ball. He runs over to the fridge, puts his phone on top of it and begins dribbling the ball around the kitchen.*

**TOMMY**: He's closing in, he's getting there, past the last defender, he shoots... (Tommy kicks the ball against the fridge hard, so that the open bottle of fizzy drink that was balanced on top falls over and begins running onto the floor.) He scores!

*Tommy rips off his shirt, flings it on to the table, toppling glasses, and runs around the stage. He dives on to his knees in front of the fridge. All the time still talking.*

**TOMMY**: What a goal from the young Murphy, on his debut for this club. Nothing more could have been asked for. He came here to prove himself and he did just that – what a welcome to Old Traff...

*At this moment he notices Sandra, his mother, has entered stage left. She is wearing jeans and an oversized polo shirt. She is also wearing a cleaning apron and carrying a plastic container full of cleaning products and rubber gloves. She is balancing three brooms of differing sizes under her arms and staring in horror at the mess in the kitchen.*

**SANDRA**: (Interrupting) Thomas Murphy! Look at the mess you've made. I spend my whole day cleaning other people's houses, and then I have to come home and clean my own. Look at this place.

*Tommy has been mouthing along with his mother, letting the audience know he has heard her speech more than once. She catches him at the end, and the two stare at each other until Tommy drops his face to the floor.*

**SANDRA:** And if you know what I'm saying so well Mr Know-it-all, then why wait for me to say it?!

**TOMMY:** *(Picking his shirt off the table and the ball off the floor, whining.)* It's not only me mum. Kerry and Lisa also live here you know. *(He motions to the mess in the kitchen, but accidentally throws the ball through the kitchen window.)*

**SANDRA:** ARGH! Tommy!

*Lights down.*

*Lights come up on the same kitchen only this time it is much tidier. The window at the back has been taped up. There is a pot of tea and three cups on the table in the centre. Sandra is furiously cleaning invisible spots off the work tops and Tommy is pacing across the stage. He is wearing a pair of trousers that are too short for him and an unironed shirt. Sandra comes over, licks the back of her hand and starts to flatten his hair.*

**TOMMY:** *(Moving his head out of the way.)* Muuum! Get off!

**SANDRA:** Keep still Tommy – you look a mess.

**TOMMY:** Mum! He wants to meet us to talk about my football career, not my hair. *(Pause)* My FOOTBALL career! *(He looks at the audience in a trance-like state, smiling longingly.)*

*The doorbell rings and Tommy snaps out of his trance, drops his cup and spills tea all over the floor.*

**SANDRA:** *(Squealing and grabbing a tea towel)* Go and let him in, I'll clean all this up.

*She begins wiping the floor and kicks the broken cup under the table as Tommy enters with a man in a suit. She straightens up and holds out her hand.*

**MR EMMET:** I'm Mr. Emmet, you must be Mrs. Murphy – lovely to meet you.

**SANDRA:** Hello. Please take a seat. *(She gestures at the chairs behind the table.)* Would you like a cup of tea?

**MR EMMET:** Tea would be lovely.

*Mr. Emmet sits down and pulls a brief case onto the table. He pulls out some paperwork as Sandra pours the tea and Tommy fidgets nervously.*

**MR EMMET:** I must say, I think your son is an innovative thinker, and that's what made me travel all the way up here.

**SANDRA:** *(Confused)* Innovative thinker?

**MR EMMET:** Yes, it's not every young man that personally emails every youth division in the country asking for a trial. Normally it doesn't work of course, but sending the YouTube videos with it... Well I could see talent then. *(He turns to the window that has been taped up and begins laughing.)* All fixed then, eh?!

**SANDRA:** *(Smiling, partly with confusion and partly to be polite.)* Videos?

**TOMMY:** *(Quickly and nervously interrupting.)* Mr... Emmet. I've been playing football since I could walk and I'm... so pleased...

**SANDRA:** *(Interrupting)* Sorry, I don't understand. Did Tommy tell you about the window, Mr. Emmet?

**MR EMMET:** Tell me?! He didn't have to. It's on his YouTube channel, along with everything else! I think you're a great sport – making regular appearances. That was all part of the humour! We all remember being told off by our mothers, but watching you, stood there in your apron – hilarious. That's what made me realise. Tommy is an innovative thinker and, combined with his talent, we think he deserves a go at the youth clubs, and there are a few interested. It's not everyday you get to sign a viral sensation...

*Sandra has not been listening, instead she has been staring intently at Tommy in horror and shock. Mr. Emmet realises that something is amiss and stares between the two. He looks highly uncomfortable. Tommy has his head down and is staring silently at his lap.*

**SANDRA:** *(Without breaking her stare)* Oh yes. He is an... innovative boy alright, and after you leave Mr. Emmet, Tommy and I will be talking about just how innovative he is!

*Lights down.*